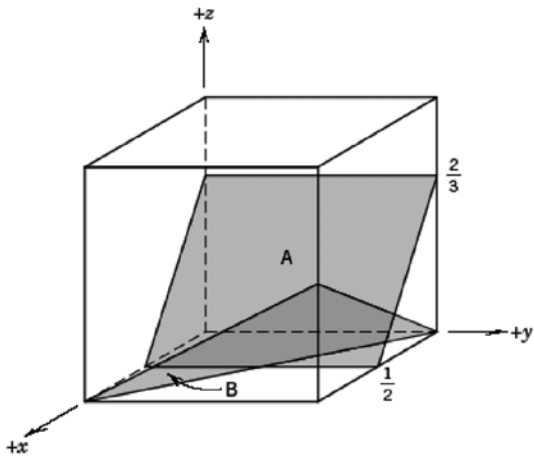
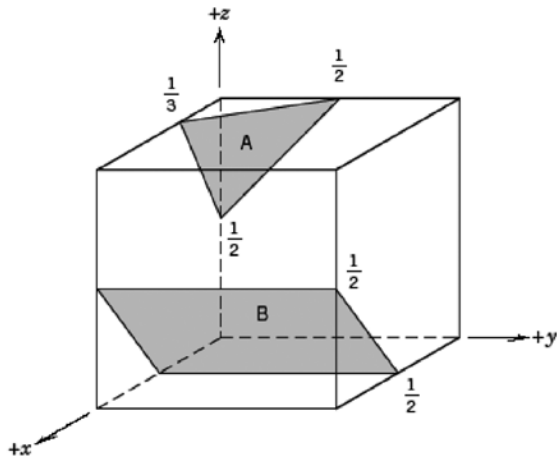


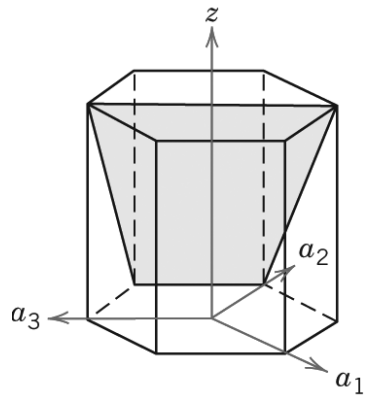
3.41 Determine the Miller indices for the planes shown in the following unit cell:



3.42 Determine the Miller indices for the planes shown in the following unit cell:



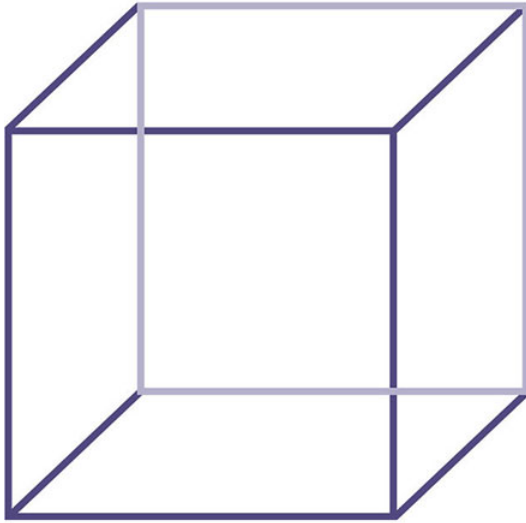
3.54 Determine the Miller indices for the plane shown in the following unit cell:



3.40 Sketch within a cubic unit cell the following planes:

(a)  $(0\bar{1}\bar{1})$ ,      (e)  $(\bar{1}\bar{1}\bar{1})$ ,

(b)  $(11\bar{2})$ ,      (f)  $(\bar{1}\bar{2}\bar{2})$ ,



3.51 Sketch the  $(1\bar{1}01)$  and  $(11\bar{2}0)$  planes in a hexagonal unit cell.

